

- 1
- 2
- 3
- 4
- 5
- 6
- 7
- 8
- 9
- 10
- 11
- 12
- 13
- 14
- 15
- 16
- 17
- 18

TYPE

- Type **A**: with reflector

IDENTIFICATION NO.

- No. **2**: Seal FPM (Viton®)
- No. **3**: Seal copper

Body
AISI 316L stainless steel

Reflector
Grooves melted into sight glass

Sight glass float-glass
- Metal-fused
- Shrink-fit

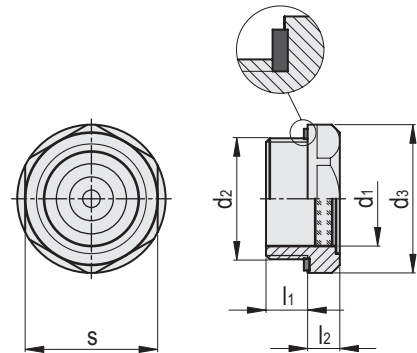
Seals
- Rubber FPM (Viton®) (identification no. 2)
Temperature resistant up to **180 °C** (without pressure load)
- Copper (identification no. 3)
Temperature resistant up to **300 °C** (without pressure load)

FEATURES AND APPLICATIONS

Stainless steel sight glasses GN 7440 are equipped with a sight glass that is metal-fused to the body by a thermal process. As a result the liquid glass adapts precisely to the contour of the body. During cooling, the different coefficients of linear expansion of the two joining partners generate strong mechanical initial stress between the glass and metal. This initial stress makes the sight glasses 100% leakproof and particularly resistant to dynamic pressures and high temperatures when used with liquid and gaseous media. Moreover, the site glass offers a high level of safety, as-potential damage is indicated in advance by small cracks without breakage of the glass. The seal is embedded in a radial recess, and thus cannot be lost or squeezed out during tightening. The recommended operating pressures are non-binding values and rule out any liability. The user must determine from case to case whether a product is suitable for the intended use. Environmental factors can influence the specified values.

ON REQUEST

Seals of NBR or EPDM



GN 7440-A-2



Code	Description	d1	d2	d3	l1	l2	s	Max. operating pressure* [bar]	⚖️
GN.72601	GN 7440-11-G3/8-A-2	11	G 3/8	22	8	7.5	20	80	22
GN.72611	GN 7440-14-G1/2-A-2	14	G 1/2	26	8.5	7.5	23	80	30
GN.72621	GN 7440-18-G3/4-A-2	18	G 3/4	32	9	8	30	80	52
GN.72631	GN 7440-24-G1-A-2	24	G 1	40	11	8.5	36	80	82
GN.72641	GN 7440-32-G1 1/4-A-2	32	G 1 1/4	50	12	9	46	40	130
GN.72606	GN 7440-11-M16X1,5-A-2	11	M 16X1.5	22	8	7.5	20	80	22
GN.72616	GN 7440-14-M20X1,5-A-2	14	M 20X1.5	26	8.5	7.5	23	80	30
GN.72626	GN 7440-18-M26X1,5-A-2	18	M 26X1.5	32	9	8	30	80	51
GN.72636	GN 7440-24-M33X1,5-A-2	24	M 33X1.5	40	11	8.5	36	80	82
GN.72646	GN 7440-32-M42X1,5-A-2	32	M 42X1.5	50	12	9	46	40	130

GN 7440-A-3

Code	Description	d1	d2	d3	l1	l2	s	Max. operating pressure* [bar]	⚖️
GN.72602	GN 7440-11-G3/8-A-3	11	G 3/8	22	8	7.5	20	80	22
GN.72612	GN 7440-14-G1/2-A-3	14	G 1/2	26	8.5	7.5	23	80	30
GN.72622	GN 7440-18-G3/4-A-3	18	G 3/4	32	9	8	30	80	52
GN.72632	GN 7440-24-G1-A-3	24	G 1	40	11	8.5	36	80	84
GN.72642	GN 7440-32-G1 1/4-A-3	32	G 1 1/4	50	12	9	46	40	135
GN.72607	GN 7440-11-M16X1,5-A-3	11	M 16X1.5	22	8	7.5	20	80	22
GN.72617	GN 7440-14-M20X1,5-A-3	14	M 20X1.5	26	8.5	7.5	23	80	30
GN.72627	GN 7440-18-M26X1,5-A-3	18	M 26X1.5	32	9	8	30	80	51
GN.72637	GN 7440-24-M33X1,5-A-3	24	M 33X1.5	40	11	8.5	36	80	84
GN.72647	GN 7440-32-M42X1,5-A-3	32	M 42X1.5	50	12	9	46	40	135

Accessories for hydraulic systems

1 * (safety factor 5) at -20°C to 120°C